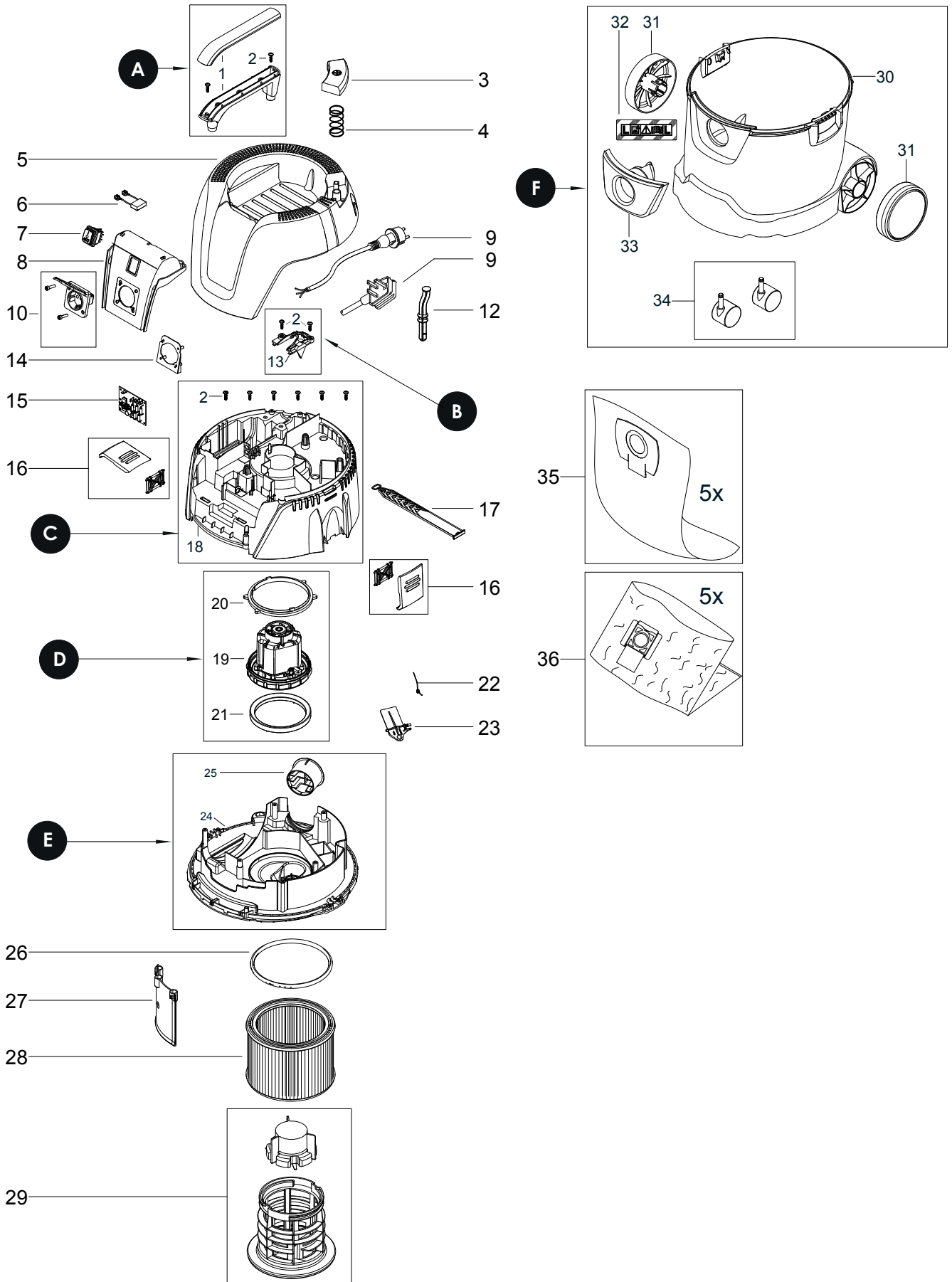


Exploded view of Dust Extractor 1025 L

Updated 23.10.2020



Dust Extractor 1025L Spare Part kits

Electrical tool must be serviced by a qualified repair person and in accordance with national requirements.

Note! Repairs done by non-authorized repairer will breach the Mirka warranty.

Mirka Code	Item	Description	Kit	QTY
8999001111		Handle kit		
	1	Handle	A	2
	2	Screws 5x18mm		2
8999001311		Power Cord Outlet kit		
	2	Screws 5x18mm	B	2
	13	Outlet		1
8999001811		Clamping Plate kit		
	2	Screws 5x18mm	C	6
	18	Clamping Plate		1
8999001911		Motor Assembly (230V)		
	19	Motor	D	1
	20	Upper Motor Sealing		1
	21	Lower Motor Sealing		1
8999002411		Baseplate kit		
	24	Baseplate	E	1
	25	Outlet Fitting		1
8999003011		Container kit		
	30	Container		1
	31	Wheels 130 mm	F	2
	32	Label Dust Class L		1
	33	Inlet Fitting		1
	34	Wheels 50mm		2

Separate spare parts on next page.

Dust Extractor 1025L Spare Parts

Mirka Code	Item	Description	Kit	QTY
	1	Handle	A	1
	2	Screws 5x18mm	A,B,C	2
	3	Push & Clean Button		1
	4	Spring For Push & Clean		1
8999000511	5	Cover		1
8999000611	6	Anti-Interference Capacitor Set		1
8999000711	7	Switch		1
8999000811	8	Switch and Socket Board		1
8999711111	9	Power Cord (EU)		1
8999711211	9	Power Cord 230V (GB)		1
8999041411	9	Power Cord (ANZ)		1
8999241711	9	Power Cord (CN)		1
8999601911	10	Socket (EU) 16A/250V		1
8999711011GB	10	Socket (GB) 13A/250V		1
8999211111	10	Socket (AU/NZ) 10A/250V		1
8999212811	10	Socket (CN) 10A/250V		1
8999001211	12	Rod for Push & Clean		1
	13	Outlet for Power Cord	B	1
8999001411	14	Plug Socket Plate		1
8999001511	15	Electronic Board 230-240V		1
8999001611	16	Container Clamp		1
8999001711	17	Rubber Strap		1
	18	Clamping Plate	C	1
	19	Motor (230V)	D	1
	20	Upper Motor Sealing	D	1
	21	Lower Motor Sealing	D	1
8999602211	22	Torsion Spring		1
8999002311	23	Flap		1
	24	Baseplate	E	1
	25	Outlet Fitting	E	1
8999002611	26	Sealing		1
	27	Deflector Shield		1
8999600411	28	Filter		1
8999602511	29	Filter Support Cage		1
	30	Container	F	1
8999003111	31	Wheel 130 mm	F	2
	32	Label Dust Class L	F	1
8999003311	33	Inlet Fitting	F	1
8999003411	34	Wheels 50mm	F	2
8999000211	35	Dust Bags Fleece		5
	36	Dust Bags Disposal		5